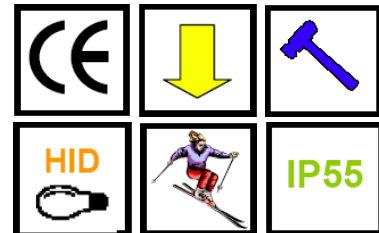




Manufacturers of Commercial, Industrial  
& Special Purpose Light Fittings



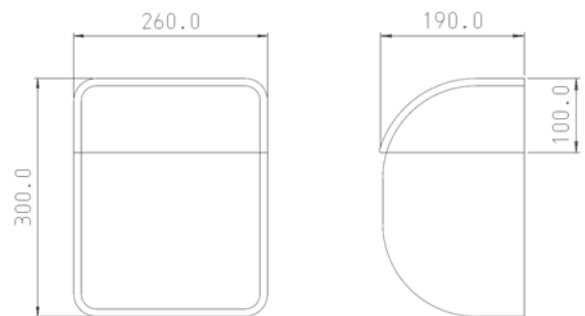
## Attributes

- Polycarbonate body
- High Purity Aluminium Reflector
- Removable Geartray
- Good sideways distribution to maximise spacing
- Excellent Photometric performance

## Description

A range of wall mounted fittings for mounting heights in the order of 2 - 6m. The luminaire is manufactured from polycarbonate and is vandal resistant. The reflector is made from anodised and brightened 99.85 aluminium. The wall packs are designed for use in amenity and security conscious areas where discretion and strength are important. There are various options of light source available to enable a suitable balance between efficacy and effect to be achieved. The fittings give good sideways distribution to obtain maximum spacing.

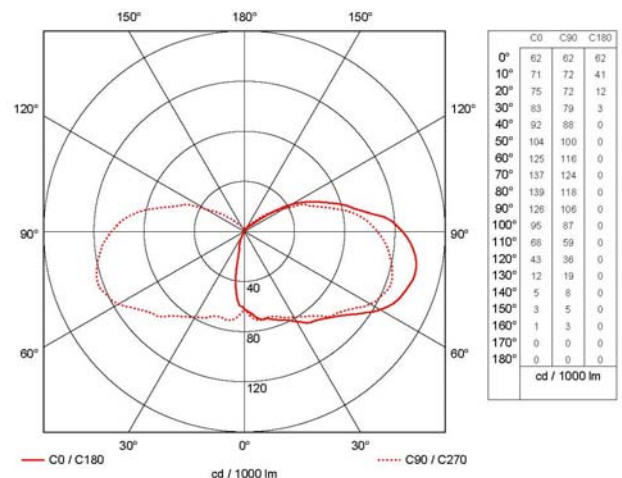
## Dimensions



## Specification

LAMP TYPE	CATALOGUE NUMBER	WEIGHT (KG)
70W SON-I	GAL 70S	7.8
80W MBF-U	GAL 80M	7.8
70W TC-TE	GAL 70T	6.8

## Photometrics



## Technical

This range is suitable for normal operation from a 230V 50Hz supply. Other options are available. Do not carry out high voltage circuit tests with these luminaires. Always replace discharge lamps before cycling occurs at end of life to avoid damage or injury due to lamp rectification. For any advice regarding the technical aspects of these products please consult our technical department.

All information, recommendation, or advice contained in this document or given by Sondia Lighting, or any of its subsidiaries, affiliates, or authorised representatives, whether written or oral, is given in good faith, to the best of its knowledge, and based on current procedures in effect. The products of Sondia Lighting, or if applicable, of its subsidiaries or affiliates are sold subject to General Conditions of Sale which are available upon request. Nothing in this or any other document shall alter, vary or supersede, or operate to waive any of the General Conditions of Sale. Each user of the products shall convince themselves, through all available sources (including finished product testing in its appropriate environment) of the suitability of the products supplied for its own particular purpose. Because actual use of the products by the user is beyond the control of Sondia Lighting, its subsidiaries and affiliates, such use is within the exclusive responsibility of the user. Sondia Lighting, its subsidiaries and affiliates cannot be held responsible for any loss incurred through incorrect or faulty use of the products. Information, recommendation and / or advice are neither made to infringe on any patents, nor to grant a license under any patent or intellectual property right of Sondia Lighting or any of its subsidiaries or affiliated companies, nor to grant the right to file for any patent protection. We have a policy of continuous technical development and products and / or descriptions, and / or materials may be changed without prior public announcement or warning.