

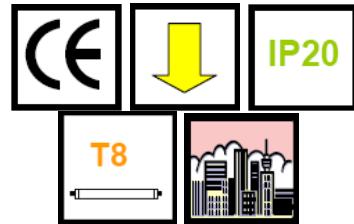
SESAME T8

SLIMLINE SURFACE MODULAR RANGE

DESIGNED & BUILT FOR HMP CUSTODIAL ESTABLISHMENTS



Manufacturers of Commercial, Industrial
& Special Purpose Light Fittings



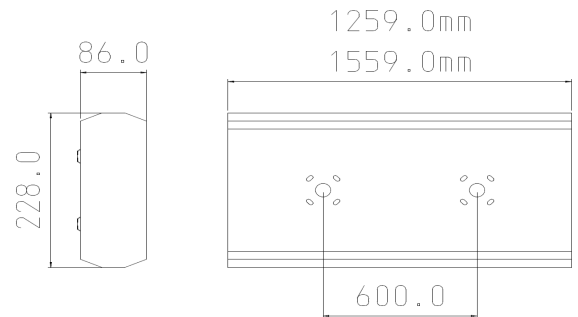
Attributes

- **T8 lamp technology means high efficacy**
- **HF Electronic Control Gear**
- **Easy Installation**
- **Good Photometric Performance**
- **Powder coated steel body**

Description

An attractive range of linear fluorescent louvre fittings for general use. The luminaire uses T8 high efficiency lamps with high frequency electronic control gear. The body is made from powder coated mild steel, with polycarbonate endcaps. They are suitable for use in many commercial applications, such as general offices, VDU offices, and school rooms. The range with 65deg. Louvre is particularly used in VDU areas to meet the downward light control required to meet LG3. There are various sizes and lamp options available to suit the particular application.

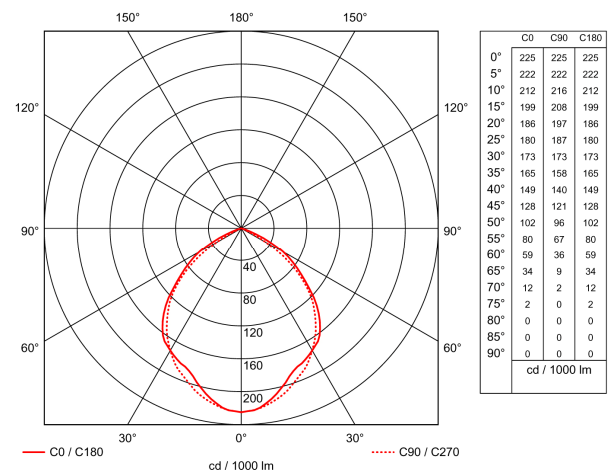
Dimensions



Specification

LAMP TYPE	CATALOGUE NUMBER	WEIGHT (KG)
1 x 36/58W T8 fluorescent	SSM 136/58.HF	2.14
2 x 36/58W T8 fluorescent	SSM 236/58.HF	2.71
1 x 70W T8 fluorescent	SSM 170.HF	2.25
2 x 70W T8 fluorescent	SSM 270.HF	3.1
OPTIONS		
Low brightness louvre	.LBL	
65 deg. VDU louvre	.C2L	
Integral 3hr maintained	.EM	
High Frequency Control Gear	.HF	
Colour 835 White Tubes	.L835	

Photometrics



Technical

This range is suitable for normal operation from a 230V 50Hz supply. Do not carry out high voltage circuit tests with these luminaires. Ensure that the luminaires are kept away from moisture and water. For any advice regarding the technical aspects of these products please consult our technical department.

All information, recommendation, or advice contained in this document or given by Sondia Lighting, or any of its subsidiaries, affiliates, or authorised representatives, whether written or oral, is given in good faith, to the best of its knowledge, and based on current procedures in effect. The products of Sondia Lighting, or if applicable, of its subsidiaries or affiliates are sold subject to General Conditions of Sale which are available upon request. Nothing in this or any other document shall alter, vary or supersede, or operate to waive any of the General Conditions of Sale. Each user of the products shall convince themselves, through all available sources (including finished product testing in its appropriate environment) of the suitability of the products supplied for its own particular purpose. Because actual use of the products by the user is beyond the control of Sondia Lighting, its subsidiaries and affiliates, such use is within the exclusive responsibility of the user. Sondia Lighting, its subsidiaries and affiliates cannot be held responsible for any loss incurred through incorrect or faulty use of the products. Information, recommendation and / or advice are neither made to infringe on any patents, nor to grant a license under any patent or intellectual property right of Sondia Lighting or any of its subsidiaries or affiliated companies, nor to grant the right to file for any patent protection. We have a policy of continuous technical development and products and / or descriptions, and / or materials may be changed without prior public announcement or warning.