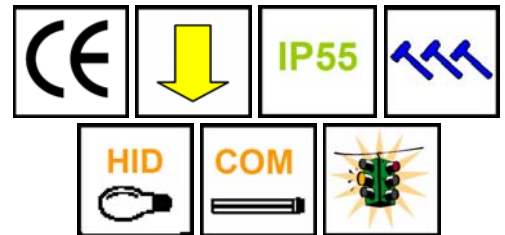




Manufacturers of Commercial, Industrial  
& Special Purpose Light Fittings



### Attributes

- Cast Aluminium IP55 body
- Polycarbonate UV stabilised lens
- Easy Maintenance

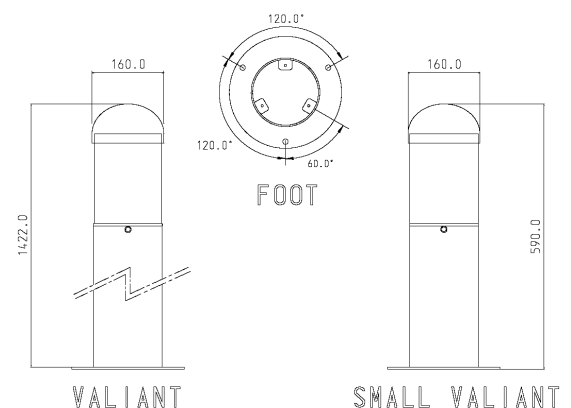
### Description

This range of high quality vandal resistant exterior bollards is for floor mounting with the use of the 'J' bolt frame, or root mounting with longer shaft. The luminaire uses high pressure discharge or compact fluorescent lamps, and is made from die-cast aluminium. The top lens is made from opal UV stabilised polycarbonate to provide vandal resistance in accordance with UN17142 and BS3193 tests. The luminaires are designed for use in areas such as gardens, parking areas, drive approaches, and perimeters of buildings where aesthetic appearance and efficient running costs are important. Black and white options are standard.

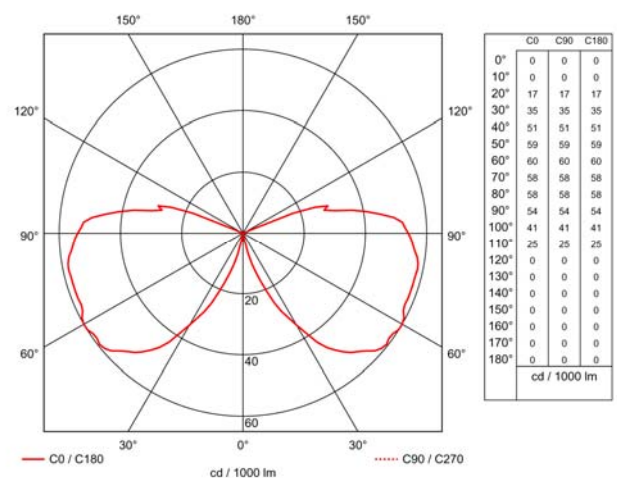
### Specification

LAMP TYPE	CATALOGUE NUMBER	WEIGHT (KG)
<b>SMALL – 130mm Diameter</b>		
100W GLS ES	VAL 100GLS	9.6
18W TC-DE	VAL 18D	9.6
50W MBF-U	VAL 50M	10.5
<b>LARGE – 180mm Diameter</b>		
200W GLS ES	VAL 200GLS	9.6
26W TC-DE	VAL 26D	9.6
80W MBF-U	VAL 80M	10.5
26W TC-DE	VAL 26D	9.6
80W MBF-U	VAL 80M	10.5
<b>OPTIONS</b>		
Dome top	.D	
Flat top	.F	
Plate with 'J' bolt anchors	.MNO.AB	
Black polyester finish	.B	
White polyester finish	.W	

### Dimensions



### Photometrics



### Technical

This range is suitable for normal operation from a 230V 50Hz supply. Other options are available. Do not carry out high voltage circuit tests with these luminaires. Always replace lamps before cycling occurs at end of life to avoid damage or injury due to lamp rectification. For any advice regarding the technical aspects of these products please consult our technical department.

All information, recommendation, or advice contained in this document or given by Sondia Lighting, or any of its subsidiaries, affiliates, or authorised representatives, whether written or oral, is given in good faith, to the best of its knowledge, and based on current procedures in effect. The products of Sondia Lighting, or if applicable, of its subsidiaries or affiliates are sold subject to General Conditions of Sale which are available upon request. Nothing in this or any other document shall alter, vary or supersede, or operate to waive any of the General Conditions of Sale. Each user of the products shall convince themselves, through all available sources (including finished product testing in its appropriate environment) of the suitability of the products supplied for its own particular purpose. Because actual use of the products by the user is beyond the control of Sondia Lighting, its subsidiaries and affiliates, such use is within the exclusive responsibility of the user. Sondia Lighting, its subsidiaries and affiliates cannot be held responsible for any loss incurred through incorrect or faulty use of the products. Information, recommendation and / or advice are neither made to infringe on any patents, nor to grant a license under any patent or intellectual property right of Sondia Lighting or any of its subsidiaries or affiliated companies, nor to grant the right to file for any patent protection. We have a policy of continuous technical development and products and / or descriptions, and / or materials may be changed without prior public announcement or warning.