

NAVIGATION LIGHTS DHR35

NAVIGATION LIGHTS DHR35 FOR SEAGOING VESSELS OF LESS THAN 20 MTRS IN LENGTH ACCORDING TO AND COMPLYING WITH INTERNATIONAL REGULATIONS FOR PREVENTING COLLISIONS AT SEA (COLREG '72)

Materials - Matt black polycarbonate, reinforced with fibre glass.
Metal parts non-corrosive, seawater resistant, non-magnetic.

Optics - Fresnel polycarbonate lens incorporated in housing.

Protection Class: - IP56

Cable Entry - Cable gland Pg 9m cable entry from below.

Bulbs: (normalised)

24V - 25W - 40cd Lampholder Bay 15d
12V - 25W - 40cd Voltage to be specified when ordering

Mounting - Base or bracket attachment for sectional lights

Base mounting or hoistable for all round lights

Positioning - See drawing

Specification:

Sectional lights: with bracket (Z) and base mounting (V)

All round lights: base mounting (V) and hoistable (H)



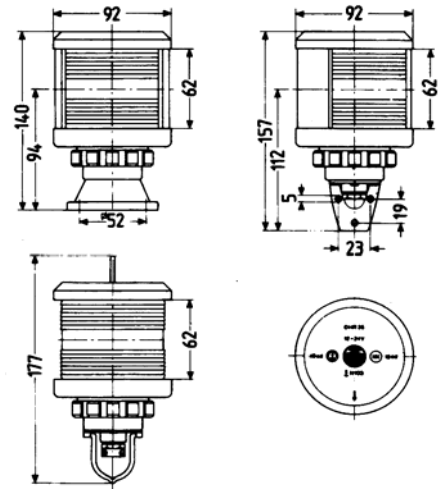
Base Mounting



Hoistable

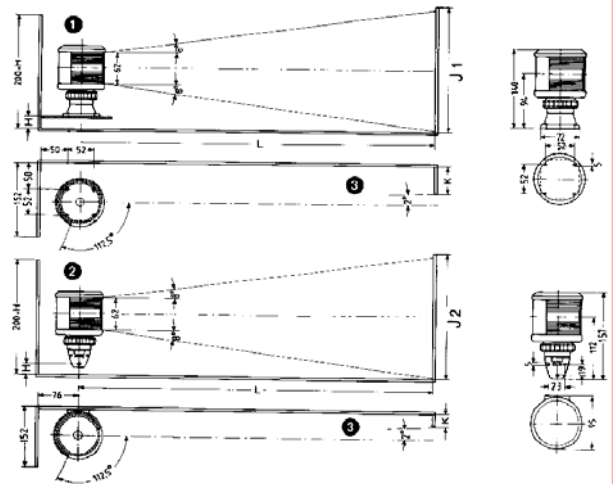


With Bracket



BASE MOUNTING	Colour	Order no.	Horiz. sector	Visibility	kg
Starboard	yellow	SB35V	112.5	2 n.m.	0.3
Port	red	BB35V	112.5	2 n.m.	0.3
Masthead	white	TW35V	225	3 n.m.	0.3
Stern	white	HW35V	135	2 n.m.	0.3
Towing	yellow	HGL35V	135	2 n.m.	0.3
All round white	white	RW35V	360	2 n.m.	0.3
All round red	red	RR35V	360	2 n.m.	0.3
All round green	green	RGR35V	360	2 n.m.	0.3
WITH BRACKET	Colour	Order no.	Horiz. sector	Visibility	kg
Starboard	green	SB35Z	112.5	2 n.m.	0.3
Port	red	BB35Z	112.5	2 n.m.	0.3
Masthead	white	TW35Z	225	3 n.m.	0.3
Stern	white	HW35Z	135	2 n.m.	0.3
Towing	yellow	HGL35Z	135	2 n.m.	0.3
HOISTABLE	Colour	Order no.	Horiz. sector	Visibility	kg
All round white	white	RW35H	360	2 n.m.	0.3
All round red	red	RR35H	360	2 n.m.	0.3
All round green	green	RGR35H	360	2 n.m.	0.3

POSITIONING OF SIDE LIGHTS DHR35	
1	STARBOARD LIGHT BASE MOUNTING SB35V
2	STARBOARD LIGHT SIDE MOUNTING SB35Z
3	INBOARD SCREEN INSIDE MATT BLACK



Sondia Lighting reserve the right to alter specifications and designs without prior notice

Technical

Do not carry out high voltage circuit tests with these luminaires. Always replace lamps before cycling occurs at end of life to avoid damage or injury due to lamp rectification. For any advice regarding the technical aspects of these products please consult our technical department.

L	H	K	J1
400	0	62	176
500	0	58	191
600	15	55	219
700	29	52	247
800	43	48	275
910	58	44	306

L	H	K	J1
400	0	33	205
500	0	30	220
600	0	27	235
700	15	24	250
800	29	20	275
910	43	16	305

All information, recommendation, or advice contained in this document or given by Sondia Lighting, or any of its subsidiaries, affiliates, or authorised representatives, whether written or oral, is given in good faith, to the best of its knowledge, and based on current procedures in effect. The products of Sondia Lighting, or if applicable, of its subsidiaries or affiliates are sold subject to General Conditions of Sale which are available upon request. Nothing in this or any other document shall alter, vary or supersede, or operate to waive any of the General Conditions of Sale. Each user of the products shall convince themselves, through all available sources (including finished product testing in its appropriate environment) of the suitability of the products supplied for its own particular purpose. Because actual use of the products by the user is beyond the control of Sondia Lighting, its subsidiaries and affiliates, such use is within the exclusive responsibility of the user. Sondia Lighting, its subsidiaries and affiliates cannot be held responsible for any loss incurred through incorrect or faulty use of the products. Information, recommendation and / or advice are neither made to infringe on any patents, nor to grant a license under any patent or intellectual property right of Sondia Lighting or any of its subsidiaries or affiliated companies, nor to grant the right to file for any patent protection. We have a policy of continuous technical development and products and / or descriptions, and / or materials may be changed without prior public announcement or warning.