

NAVIGATION LIGHTS DHR55

NAVIGATION LIGHTS DHR55 FOR SEAGOING VESSELS OF LESS THAN 50 MTRS IN LENGTH ACCORDING TO AND COMPLYING WITH INTERNATIONAL REGULATIONS FOR PREVENTING COLLISIONS AT SEA (COLREG '72)

Materials - Matt black polycarbonate, reinforced with fibre glass.
Metal parts non-corrosive, seawater resistant, non-magnetic.

Optics - Fresnel polycarbonate lens, shock resistant, interchangeable.

Protection Class - IP56

Cable Entry - Cable gland Pg 9m cable entry from below or side.

Bulbs: (normalised)

220V - 53W - 40cd
110V - 47W - 40cd Lampholder Bay 15d
24V - 25W - 40cd Voltage to be specified when ordering
12V - 25W - 40cd

Mounting - Base or bracket attachment for sectional lights
Base mounting or hoistable for all round lights

Positioning - See drawing

Specification:

Sectional lights: with bracket (Z) and base mounting (V)
All round lights base mounting (V) and hoistable (H)

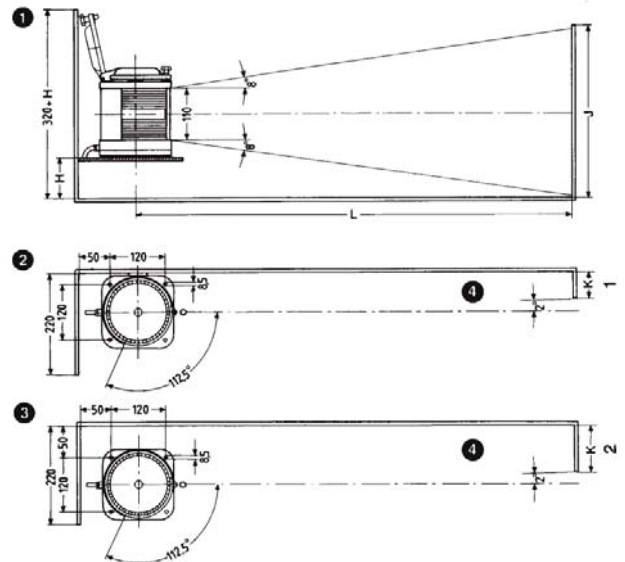
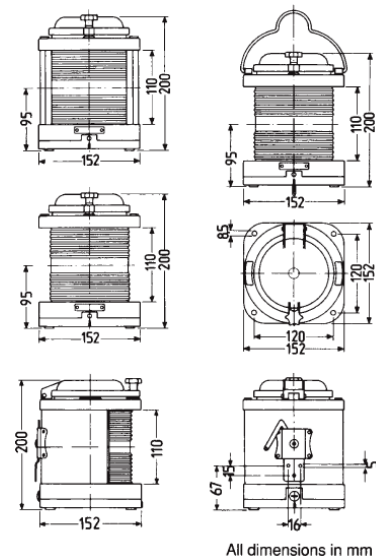
Maintenance - All parts are made of non-corrosive materials and do not require any special protective care. These parts can be supplied as back up spares for on board servicing.



Base Mounting

Hoistable

With bracket



BASE MOUNTING	Colour	Order no.	Horiz. sector	Visibility	kg
Starboard	green	SB55V	112.5	2 n.m.	1.0
Port	red	BB55V	112.5	2 n.m.	1.0
Masthead	white	TW55V	225	5 n.m.	1.0
Stern	white	HW55V	135	2 n.m.	1.0
Towing	yellow	HGL55V	135	2 n.m.	1.0
All round white	white	RW55V	360	2 n.m.	0.9
All round red	red	RR55V	360	2 n.m.	0.9
All round green	green	RGR55V	360	2 n.m.	0.9
Manoeuvring	white	RW55MV	360	5 n.m.	0.9
WITH BRACKET	colour	order no.	horiz. sector	visibility	kg
Starboard	green	SB55Z	112.5	2 n.m.	1.2
Port	red	BB55Z	112.5	2 n.m.	1.2
Masthead	white	TW55Z	225	5 n.m.	1.2
Stern	white	HW55Z	135	2 n.m.	1.2
Towing	yellow	HGL55Z	135	2 n.m.	1.2
HOISTABLE	colour	order no.	horiz. sector	visibility	kg
All round white	white	RW55H	360	2 n.m.	1.0
All round red	red	RR55H	360	2 n.m.	1.0
All round green	green	RGR55H	360	2 n.m.	1.0

POSITIONING OF SIDE LIGHTS DHR55	
1	STARBOARD LIGHT
2	STARBOARD LIGHT BASE MOUNTING SB55V
3	STARBOARD LIGHT SIDE MOUNTING SB55Z
4	INBOARD SCREEN INSIDE MATT BLACK

Technical

Do not carry out high voltage circuit tests with these luminaires. Always replace lamps before cycling occurs at end of life to avoid damage or injury due to lamp rectification. For any advice regarding the technical aspects of these products please consult our technical department.

L	H	K	J ₁
345	0	72	205
400	8	70	220
500	22	66	248
600	36	63	276
700	50	60	304
800	64	56	332
910	79	52	363

L	H	K	J ₁
345	0	98	205
400	8	96	220
500	22	92	248
600	36	89	276
700	50	86	304
800	64	82	332
910	79	78	363

All information, recommendation, or advice contained in this document or given by Sondia Lighting, or any of its subsidiaries, affiliates, or authorised representatives, whether written or oral, is given in good faith, to the best of its knowledge, and based on current procedures in effect. The products of Sondia Lighting, or if applicable, of its subsidiaries or affiliates are sold subject to General Conditions of Sale which are available upon request. Nothing in this or any other document shall alter, vary or supersede, or operate to waive any of the General Conditions of Sale. Each user of the products shall convince themselves, through all available sources (including finished product testing in its appropriate environment) of the suitability of the products supplied for its own particular purpose. Because actual use of the products by the user is beyond the control of Sondia Lighting, its subsidiaries and affiliates, such use is within the exclusive responsibility of the user. Sondia Lighting, its subsidiaries and affiliates cannot be held responsible for any loss incurred through incorrect or faulty use of the products. Information, recommendation and / or advice are neither made to infringe on any patents, nor to grant a license under any patent or intellectual property right of Sondia Lighting or any of its subsidiaries or affiliated companies, nor to grant the right to file for any patent protection. We have a policy of continuous technical development and products and / or descriptions, and / or materials may be changed without prior public announcement or warning.