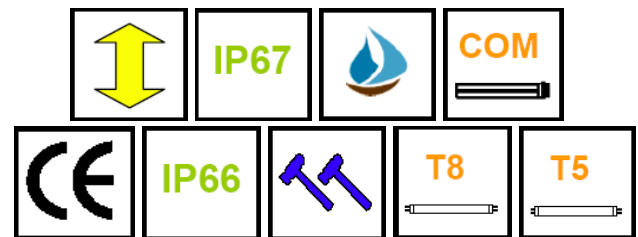


Manufacturers of Commercial, Industrial
& Special Purpose Light Fittings

Design Features

- Designed to the latest European Standards.
- Single and Twin bi pin lamp versions housed in a 70mm diameter borosilicate glass overtube
- Constructed from marine grade zinc alloy painted beige with an external white reflector
- Encapsulated control gear to ensure low operating temperature
- Externally mounted certified battery on emergency versions
- Emergency luminaires are maintained or non maintained as standard
- Suitable for cable and conduit systems



Technical Data

Certification EEx d IIB T6 - Ex94CI488
EEx d IIC T6 - Ex94C1486
EEx dm IIC T6 - Ex95C1086X

Cable Entries: 2 x M20. Others available

Ingress Protection: IP66 and IP67

Rated Voltage: 220 - 254v 50/60Hz
Other voltages on request

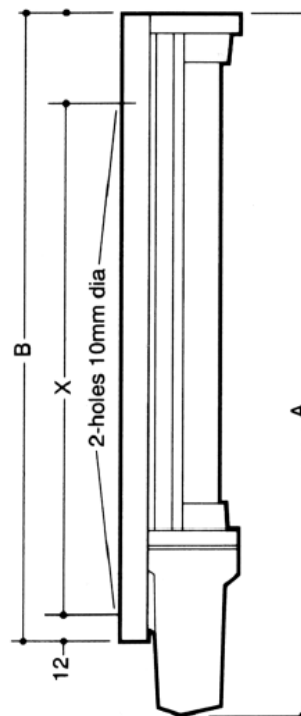
Options

- Wire Guard
- T5, T8, T12 & PL lamp versions
- Polycarbonate overtubes
- Quick start available in single T12 versions

Technical

Do not carry out high voltage circuit tests with these luminaires. Always replace lamps before cycling occurs at end of life to avoid damage or injury due to lamp rectification. For any advice regarding the technical aspects of these products please consult our technical department.

Dimensions



GROUP IIB	GROUP IIC	EMERGENCY	CAT. NUMBER	TUBE	NOMINAL WEIGHT	NOMINAL LENGTH	A	B	FIXING CRS
500/	600/	650/	0211	1x8W	11 kg	300mm	575	488	391mm
500/	600/	650/	0103	1x18W	12 kg	600mm	835	748	661mm
500/	600/	650/	0109	1x36W	14 kg	1200mm	1440	1353	1266mm
500/	600/	-	0115	1x58W	16 kg	1500mm	1740	1653	1566mm
500/	600/	650/	0121	2x18W	12 kg	600mm	835	748	661mm
500/	600/	650/	0127	2x36W	14 kg	1200mm	1440	1353	1266mm
500/	600/	-	0133	2x58W	16 kg	1500mm	1740	1653	1566mm

All information, recommendation, or advice contained in this document or given by Sondia Lighting, or any of its subsidiaries, affiliates, or authorised representatives, whether written or oral, is given in good faith, to the best of its knowledge, and based on current procedures in effect. The products of Sondia Lighting, or if applicable, of its subsidiaries or affiliates are sold subject to General Conditions of Sale which are available upon request. Nothing in this or any other document shall alter, vary or supersede, or operate to waive any of the General Conditions of Sale. Each user of the products shall convince themselves, through all available sources (including finished product testing in its appropriate environment) of the suitability of the products supplied for its own particular purpose. Because actual use of the products by the user is beyond the control of Sondia Lighting, its subsidiaries and affiliates, such use is within the exclusive responsibility of the user. Sondia Lighting, its subsidiaries and affiliates cannot be held responsible for any loss incurred through incorrect or faulty use of the products. Information, recommendation and / or advice are neither made to infringe on any patents, nor to grant a license under any patent or intellectual property right of Sondia Lighting or any of its subsidiaries or affiliated companies, nor to grant the right to file for any patent protection. We have a policy of continuous technical development and products and / or descriptions, and / or materials may be changed without prior public announcement or warning.