



### Application

- The range of marine searchlights intended for use on all types and sizes of ship.

### Construction

Column and drum of seawater resistant aluminium finished in white corrocoat polyester. Front ring gasket of heat resistant silicon rubber.

Silver plated glass mirror reflector specifically designed for halogen bulbs.

Fork and all bolts, nuts and screws are of stainless steel

### Features

Easy mounting and low maintenance costs, External adjustment of focus, Hardened front glass, and Light Filter.

### Voltage

#### **Mounting:**

Bridge and High Bridge Mounting

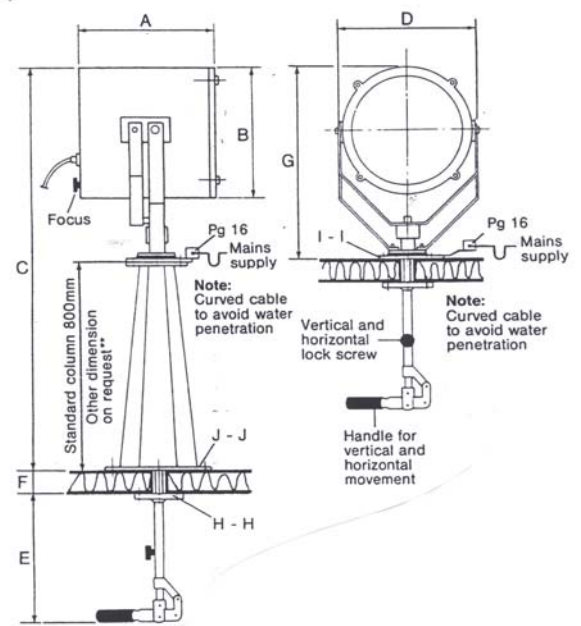
#### **Option:**

- Thermostat controlled heating in drum
- Morse shutter
- Spread filter

### Technical

Do not carry out high voltage circuit tests with these luminaires. Always replace lamps before cycling occurs at end of life to avoid damage or injury due to lamp rectification. For any advice regarding the technical aspects of these products please consult our technical department.

### Dimensions



Type	A	B	C	D	E	F	G
SH310	340	410	1430	475	315	300	630
SH370	375	455	1470	515	315	300	665
SH470	375	555	1595	615	315	300	795

Dimensions in mm.

TECHNICAL DATA					
Model	Volts	Watts	Range (metres)	Lamp Socket	Wt (Kg)
SH 310	220-240	650	1490	G9.5	16
SH 310	24	1000	1540	G9.5	16
SH 370	220-240	1000	1571	G9.5	16
SH 470	220-240	2000	2366	G16	16