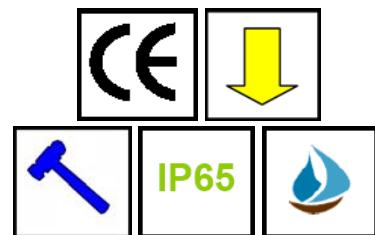


# TYPE 4M

Marine Range



## Application

- Washroom
- Toilets
- Machinery spaces
- Laundries

## Specification

### Case and Gear tray:

Formed mild steel

### Diffuser:

Opal or Prismatic diffuser. Available in acrylic or polycarbonate

### Finish:

Powder coated grey 70 - 80µm

### Wiring:

Heat resistant PVC wire to 105°C. Removable gear tray.

## Voltage

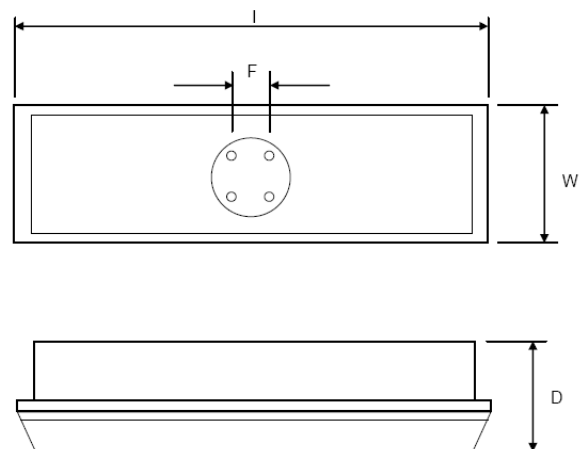
AC: 50/60Hz 12V, 24V, 110/115V, 220/240V

DC: 12V, 24V

## Technical

Do not carry out high voltage circuit tests with these luminaires. Always replace lamps before cycling occurs at end of life to avoid damage or injury due to lamp rectification. For any advice regarding the technical aspects of these products please consult our technical department.

## Dimensions



LAMP	I	D	W	F	Weight
2x8W	387	90	110	36	2.2 kg

All dimensions in mm

All information, recommendation, or advice contained in this document or given by Sondia Lighting, or any of its subsidiaries, affiliates, or authorised representatives, whether written or oral, is given in good faith, to the best of its knowledge, and based on current procedures in effect. The products of Sondia Lighting, or if applicable, of its subsidiaries or affiliates are sold subject to General Conditions of Sale which are available upon request. Nothing in this or any other document shall alter, vary or supersede, or operate to waive any of the General Conditions of Sale. Each user of the products shall convince themselves, through all available sources (including finished product testing in its appropriate environment) of the suitability of the products supplied for its own particular purpose. Because actual use of the products by the user is beyond the control of Sondia Lighting, its subsidiaries and affiliates, such use is within the exclusive responsibility of the user. Sondia Lighting, its subsidiaries and affiliates cannot be held responsible for any loss incurred through incorrect or faulty use of the products. Information, recommendation and / or advice are neither made to infringe on any patents, nor to grant a license under any patent or intellectual property right of Sondia Lighting or any of its subsidiaries or affiliated companies, nor to grant the right to file for any patent protection. We have a policy of continuous technical development and products and / or descriptions, and / or materials may be changed without prior public announcement or warning.