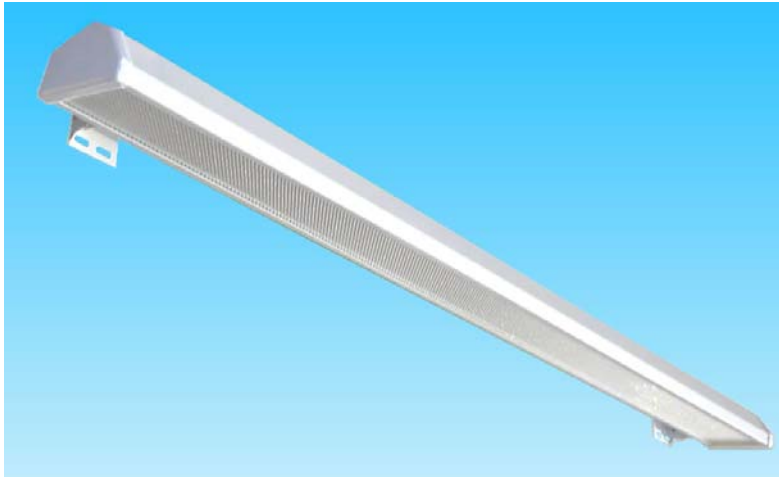


# TYPE 19

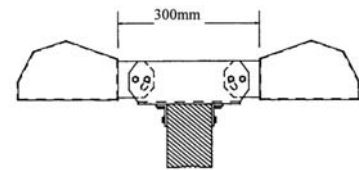
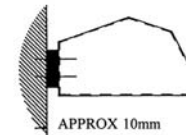
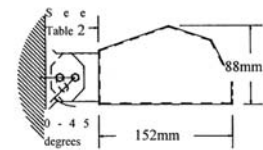
## CONTINUOUS SIGN TROUGH



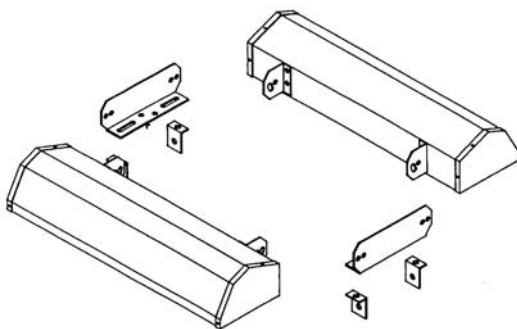
Manufacturers of Commercial, Industrial  
& Special Purpose Light Fittings

### FEATURES

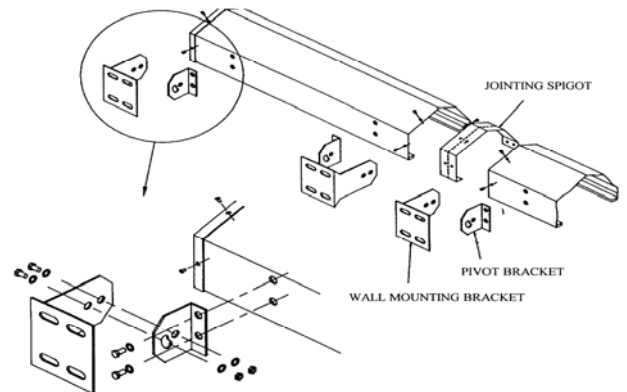
- ADJUSTABLE ANGLE FROM 0 – 45 DEGREES
- LIGHTWEIGHT & NON-CORROSIVE ALUMINIUM CONSTRUCTION
- LOW RUNNING AND MAINTENANCE COSTS
- EVEN LIGHT DISTRIBUTION WHEN COMPARED TO SOME ALTERNATIVE METHODS OF ILLUMINATION
- ELECTRONIC STARTERS FITTED FOR SMOOTH TUBE IGNITION IN COLD CONDITIONS & EXTENDED TUBE LIFE
- SPECIALLY DESIGNED PROFILE PROVIDES OPTIMUM INTERNAL REFLECTION & SLIMLINE APPEARANCE
- STANDARD COLOUR – GLOSS WHITE



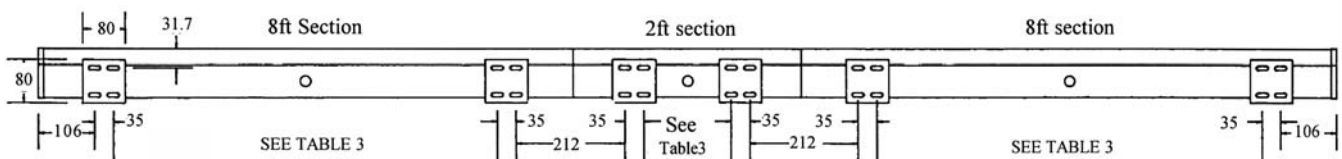
19/B4 DOUBLE SIDED BRACKET ASSEMBLY ( SEE TABLE 2 )



19/B1-B3 BRACKET ASSEMBLY ( SEE TABLE 2 )



TYPICAL MOUNTING DIMENSION: e.g. 5520mm 18' 1"



NOTE: SILICONE SEALANT SHOULD BE APPLIED TO THE TOP SURFACE OF THE JOINTING SPIGOT BEFORE FITTING (SEE DOTTED LINE ON JOINTING SPIGOT)

All information, recommendation, or advice contained in this document or given by Sondia Lighting, or any of its subsidiaries, affiliates, or authorised representatives, whether written or oral, is given in good faith, to the best of its knowledge, and based on current procedures in effect. The products of Sondia Lighting, or if applicable, of its subsidiaries or affiliates are sold subject to General Conditions of Sale which are available upon request. Nothing in this or any other document shall alter, vary or supersede, or operate to waive any of the General Conditions of Sale. Each user of the products shall convince themselves, through all available sources (including finished product testing in its appropriate environment) of the suitability of the products supplied for its own particular purpose. Because actual use of the products by the user is beyond the control of Sondia Lighting, its subsidiaries and affiliates, such use is within the exclusive responsibility of the user. Sondia Lighting, its subsidiaries and affiliates cannot be held responsible for any loss incurred through incorrect or faulty use of the products. Information, recommendation and / or advice are neither made to infringe on any patents, nor to grant a license under any patent or intellectual property right of Sondia Lighting or any of its subsidiaries or affiliated companies, nor to grant the right to file for any patent protection. We have a policy of continuous technical development and products and / or descriptions, and / or materials may be changed without prior public announcement or warning.