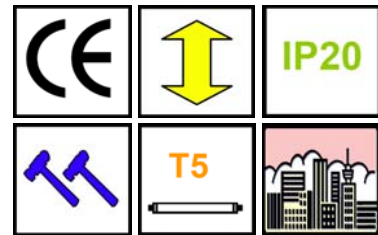




Manufacturers of Commercial, Industrial
& Special Purpose Light Fittings



Attributes

- Low Glare Polycarbonate Controller
- High Frequency Electronic gear
- Vandal Resistant Design
- Secure Endcaps
- Excellent Photometric performance

Description

Surface fluorescent range of very shallow vandal resistant luminaires designed for commercial, hospital, and educational environments. The luminaire uses T5 high efficiency fluorescent tubes with high frequency electronic control gear. The combination of prisms and reeding on the controller gives a soft light distribution, and as it is made from polycarbonate it is very resilient against mis-use. The endcaps can be supplied with tamper resistant screws to increase resistance to vandalism. The shallow white powder coated steel geartray keeps the luminaire depth to an absolute minimum. The luminaires are designed for use in those areas where aesthetic appearance is important, and there are various options of light source available to enable a suitable balance between efficacy and effect to be achieved.

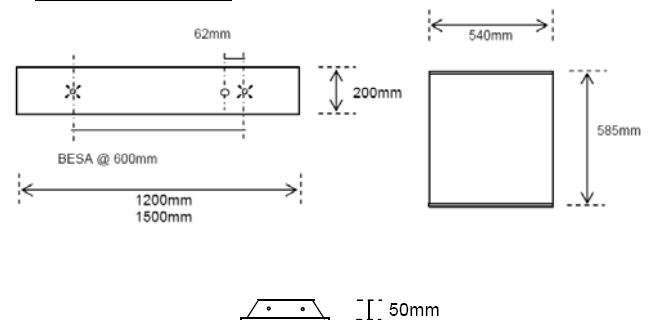
Specification

| LAMP TYPE | CATALOGUE NUMBER | WEIGHT (kg) |
|--------------------------|------------------|-------------|
| 1 x 28W T5 – 1200mm | FRS 128.HF | 7.8 |
| 2 x 28W T5 – 1200mm | FRS 228.HF | 7.8 |
| 1 x 49W T5 – 1500mm | FRS 149.HF | 8.8 |
| 2 x 49W T5 – 1500mm | FRS 249.HF | 8.8 |
| 4 x 14W T5 – 600 x 600mm | FRS 414.HF | 7.8 |
| OPTIONS | | |
| 3hr maintained emergency | .EM | 1.1 |
| HF electronic switchDIM | .HFSD | 0.03 |

Technical

This range is suitable for normal operation from a 230V 50Hz supply. Other options are available. Do not carry out high voltage circuit tests with these luminaires. Always replace lamps before cycling occurs at end of life to avoid damage or injury due to lamp rectification. For any advice regarding the technical aspects of these products please consult our technical department.

Dimensions



Photometrics

