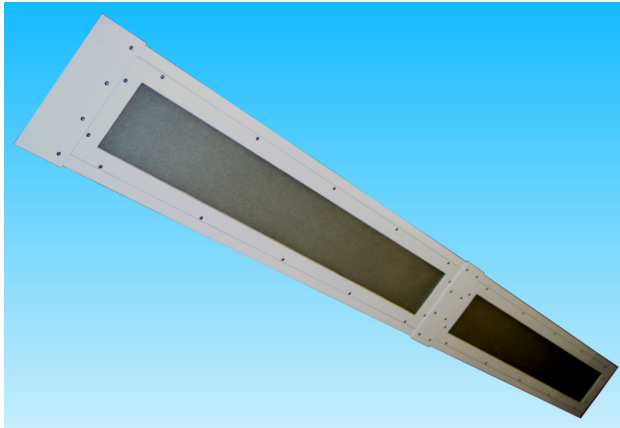


# HERCULES

## Cornice T5 Safe Cell Range

DESIGNED & BUILT FOR HMP CUSTODIAL ESTABLISHMENTS



Manufacturers of Commercial, Industrial & Special Purpose Light Fittings

### Attributes

- 6mm KILLBURN fire & vandal resistant diffuser
- High Frequency Electronic gear
- Secure Anti-Ligature frame design
- Excellent Photometric performance

### Description

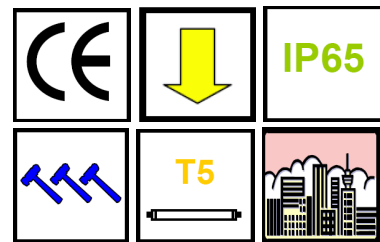
Cornice mounting T5 fluorescent range of shallow vandal resistant luminaires designed for safe cell requirements in prisons and other secure environments. The luminaire uses T5 high efficiency fluorescent tubes with high frequency electronic control gear. The combination of mild steel bodies and frames ensures a tight fit, to help reduce the risk of ligature problems. The KILLBURN diffuser supplied is 6mm thick, Tp(a) rated, and has 30min fire rating, behind which is an opal polycarbonate film to increase diffusion. The geartrays are made of white powder coated mild steel and are removable by plugs and sockets for ease of maintenance. The screws holding the frames are stainless steel high security Torx type with central pin as standard. The system is designed to take through cabling in the integral cable compartments, as well as data and other cables. A version with a ski-slope top section to accommodate Victorian Ceilings is available upon request. (see data sheet SL1.23). The luminaire as part of a system is rated at IP65 from the front elevation only, when sealed appropriately with SikaDur 5031 anti-pick mastic.

### Specification

LAMP TYPE	CATALOGUE NUMBER	WEIGHT (KG)
1 x 14W T5 – 2800mm	HER-MK4-114.HF	13.8
2 x 14W T5 – 2800mm	HER-MK4-214.HF	13.8
1 x 28W T5 – 2800mm	HER-MK4-128.HF	13.8
2 x 28W T5 – 2800mm	HER-MK4-228.HF	13.8
1 x 54W T5 – 2800mm	HER-MK4-154.HF	13.8
2 x 54W T5 – 2800mm	HER-MK4-254.HF	13.8
**1x54W+1x24W T5+5w PL NL	**HER-MK4-154+124.HF+5WPL	13.8
<b>** NOMS approved for safe cells</b>		
OPTIONS		
Integral 3hr maintained emergency gear	.E3	
HF electronic digital dimming ballast	.HFDD	
Please note that the system requires exact lengths made up of bodies and adjustable centre and end wings.		

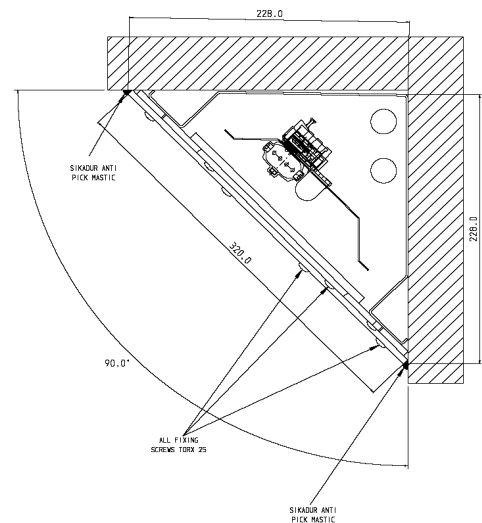
### Technical

This range is suitable for normal operation from a 230V 50Hz supply. Other options are available. Do not carry out high voltage circuit tests with these luminaires. Always replace lamps before cycling occurs at end of life to avoid damage or injury due to lamp rectification. For any advice regarding the technical aspects of these products please consult our technical department.

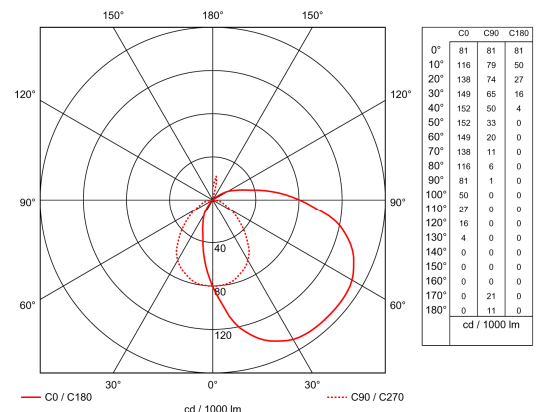


### Dimensions

Length made to specific requirements.



### Photometrics



All information, recommendation, or advice contained in this document or given by Sondia Lighting, or any of its subsidiaries, affiliates, or authorised representatives, whether written or oral, is given in good faith, to the best of its knowledge, and based on current procedures in effect. The products of Sondia Lighting, or if applicable, of its subsidiaries or affiliates are sold subject to General Conditions of Sale which are available upon request. Nothing in this or any other document shall alter, vary or supersede, or operate to waive any of the General Conditions of Sale. Each user of the products shall convince themselves, through all available sources (including finished product testing in its appropriate environment) of the suitability of the products supplied for its own particular purpose. Because actual use of the products by the user is beyond the control of Sondia Lighting, its subsidiaries and affiliates, such use is within the exclusive responsibility of the user. Sondia Lighting, its subsidiaries and affiliates cannot be held responsible for any loss incurred through incorrect or faulty use of the products. Information, recommendation and / or advice are neither made to infringe on any patents, nor to grant a license under any patent or intellectual property right of Sondia Lighting or any of its subsidiaries or affiliated companies, nor to grant the right to file for any patent protection. We have a policy of continuous technical development and products and / or descriptions, and / or materials may be changed without prior public announcement or warning.