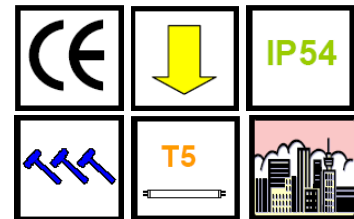




Attributes

- 5mm KILLBURN fire & vandal resistant diffuser
- High Frequency Electronic gear
- Vandal Resistant Design
- Secure Anti-Ligature frame design
- Excellent Photometric performance



Description

Surface fluorescent range of shallow vandal resistant luminaires designed for commercial, safe cell prison and educational environments. The luminaire uses T5 high efficiency fluorescent tubes with high frequency electronic control gear. The combination of mild steel bodies and frames ensures a tight fit, to help reduce the risk of ligature problems. The KILLBURN diffuser supplied is 5mm thick, Tp(a) rated, and has 30min fire rating. The geartray is made of white powder coated mild steel and is removable for ease of maintenance. The screws holding the frame are stainless steel high security Torx type with central pin as standard. The luminaires are designed for use in those areas where resilience is important, and there are various options of light source available to enable a suitable balance between efficacy and illuminance to be achieved.

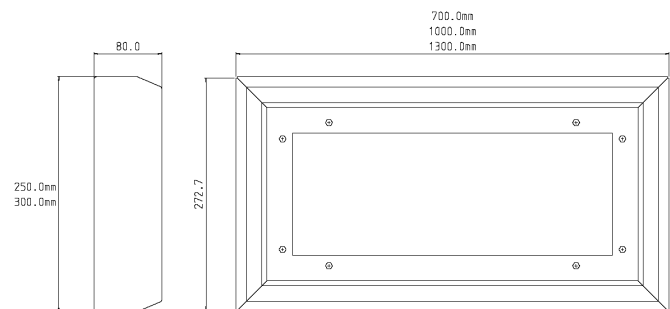
Specification

LAMP TYPE	CATALOGUE NUMBER	WEIGHT (KG)
1 x 55W TC-LE	HRT 155.HF	4.8
2 x 55W TC-LE	HRT 255.HF	4.8
1 x 28W T5	HRT 128.HF	9.8
2 x 28W T5	HRT 228.HF	9.8
1 x 54W T5	HRT 154.HF	9.8
2 x 54W T5	HRT 254.HF	9.8
1 x 49W T5	HRT 149.HF	11.8
2 x 49W T5	HRT 249.HF	11.8
OPTIONS		
3hr maintained emergency	.EM	1.1
HF electronic switchDIM	.HFSD	0.03
Recessed mounting flange	.RM	

Technical

This range is suitable for normal operation from a 230V 50Hz supply. Other options are available. Do not carry out high voltage circuit tests with these luminaires. Always replace lamps before cycling occurs at end of life to avoid damage or injury due to lamp rectification. For any advice regarding the technical aspects of these products please consult our technical department.

Dimensions



Photometrics

