

## Surface T5 Fluorescent Range

### Attributes

- Low Glare Polycarbonate Controller
- High Frequency Electronic gear
- Vandal Resistant Design
- Secure Endcaps
- Excellent Photometric performance

### Description

Surface fluorescent range of very shallow vandal resistant luminaires designed for commercial, hospital and educational environments. The luminaire uses T5 high efficiency fluorescent tubes with high frequency electronic control gear. The combination of prisms and reeding on the controller gives a soft light distribution and as it is made from polycarbonate it is very resilient against mis-use. The endcaps can be supplied with tamper resistant screws to increase resistance to vandalism. The shallow white powder coated steel geartray keeps the luminaire depth to an absolute minimum. The luminaires are designed for use in those areas where aesthetic appearance is important and there are various options of light source available to enable a suitable balance between efficacy and effect to be achieved.



### Specification

Lamp Type	Catalogue Number	Weight (kg)
1 x 28W T5 – 1200mm	FRS 128.HF	7.8
2 x 28W T5 – 1200mm	FRS 228.HF	7.8
1 x 49W T5 – 1500mm	FRS 149.HF	8.8
2 x 49W T5 – 1500mm	FRS 249.HF	8.8
4 x 14W T5 – 600 x 600mm	FRS 414.HF	7.8

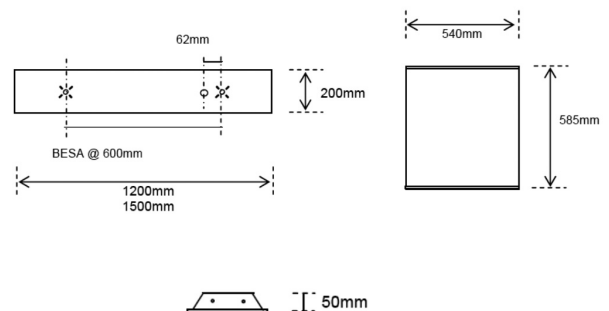
### Options

3hr maintained emergency	.EM	1.1
HF electronic switch DIM	.HFSD	0.03

### Technical

This range is suitable for normal operation from a 230V 50Hz supply. Do not carry out high voltage circuit tests with these luminaires. Ensure that lamps are replaced before reaching end of life to avoid damage and injury. For any advice regarding the technical aspects of these products please consult our Technical Department.

### Dimensions



All written or oral information provided by Sondia Lighting or any of its associates is given in good faith based on current knowledge. The products of Sondia Lighting and its associates are sold subject to General Conditions of Sale which are available upon request. No content in this document shall alter, vary, supersede or operate to waive any of the General Conditions of Sale. It is the responsibility of each user to ensure the product supplied is fit for purpose using all available resources, including finished product testing in the appropriate application and environment. Sondia Lighting and its associates cannot be held responsible for any loss incurred through the use of its products. Information, recommendations and/or advice are neither made to infringe on any patents, nor to grant a license under any patent or intellectual property right of Sondia Lighting or its associates, nor to grant the right to file for any patent protection. Sondia Lighting has a policy of continuous technical development and products and/or descriptions, and/or materials may be changed without prior public announcement or warning.

