

## Surface T5 Safe Cell Range

Designed and built for HMP Custodial Establishments

### Attributes

- 5mm KILLBURN fire & vandal resistant diffuser
- High Frequency Electronic gear
- Vandal Resistant Design
- Secure Anti-Ligature frame design
- Excellent Photometric performance

### Description

Surface fluorescent range of shallow vandal resistant luminaires designed for commercial, safe cell prison and educational environments. The luminaire uses T5 high efficiency fluorescent tubes with high frequency electronic control gear. The combination of mild steel bodies and frames ensures a tight fit, to help reduce the risk of ligature problems. The KILLBURN diffuser supplied is 5mm thick, Tp(a) rated and has 30min fire rating. The geartray is made of white powder coated mild steel and is removable for ease of maintenance. The screws holding the frame are stainless steel high security Torx type with central pin as standard. The luminaires are designed for use in those areas where resilience is important, and there are various options of light source available to enable a suitable balance between efficacy and illuminance to be achieved.



### Specification

Lamp Type	Catalogue Number	Weight (kg)
1 x 55W TC-LE	HRT 155.HF	4.8
2 x 55W TC-LE	HRT 255.HF	4.8
1 x 28W T5	HRT 128.HF	9.8
2 x 28W T5	HRT 228.HF	9.8
1 x 54W T5	HRT 154.HF	9.8
2 x 54W T5	HRT 254.HF	9.8
1 x 49W T5	HRT 149.HF	11.8
2 x 49W T5	HRT 249.HF	11.8

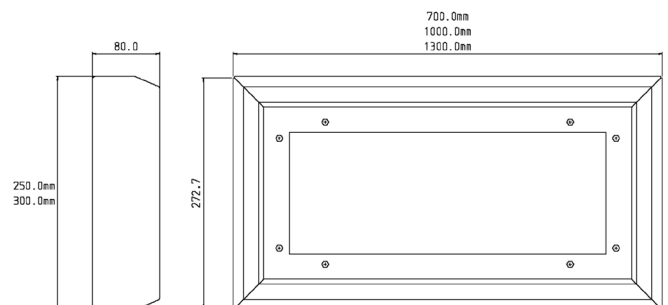
### Options

3hr maintained emergency	.EM	1.1
HF electronic switch DIM	.HFSD	0.03
Recessed mounting flange fitted	.RM	

### Technical

This range is suitable for normal operation from a 230V 50Hz supply. Other options are available. Do not carry out high voltage circuit tests with these luminaires. Always replace lamps before cycling occurs at end of life to avoid damage or injury due to lamp rectification. For any advice regarding the technical aspects of these products please consult our Technical Department.

### Dimensions



All written or oral information provided by Sondia Lighting or any of its associates is given in good faith based on current knowledge. The products of Sondia Lighting and its associates are sold subject to General Conditions of Sale which are available upon request. No content in this document shall alter, vary, supersede or operate to waive any of the General Conditions of Sale. It is the responsibility of each user to ensure the product supplied is fit for purpose using all available resources, including finished product testing in the appropriate application and environment. Sondia Lighting and its associates cannot be held responsible for any loss incurred through the use of its products. Information, recommendations and/or advice are neither made to infringe on any patents, nor to grant a license under any patent or intellectual property right of Sondia Lighting or its associates, nor to grant the right to file for any patent protection. Sondia Lighting has a policy of continuous technical development and products and/or descriptions, and/or materials may be changed without prior public announcement or warning.

