

# LANCER



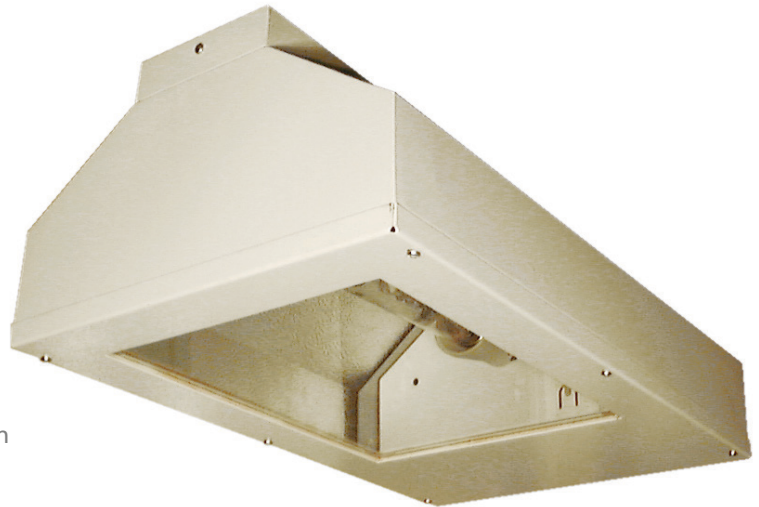
## IP65 Lowbay Range

### Attributes

- Fabricated and painted IP65 steel body
- Wide light distribution
- Removeable Gear and lamp tray
- Ceiling or trunking mounting Options
- Thermally protected ballast

### Description

A range of fabricated mild steel luminaires with toughened glass panel for mounting heights between 5m and 10m. The reflector is made from stippled aluminium and is designed to maximise light output where it is needed. They are designed for use in factory workshops, warehouses and other industrial applications where water and dust ingress protection, as well as running costs, are important. There are various lamp options to enable a suitable balance between efficacy and effect to be achieved. SON and MH versions have thermally protected ballasts to conform with amendments to EN60 598-1 : 2000.



### Technical

This range is suitable for normal operation from a 230V 50Hz supply. Other options are available. Do not carry out high voltage circuit tests with these luminaires. Always replace lamps before cycling occurs at end of life to avoid damage or injury due to lamp rectification. For any advice regarding the technical aspects of these products please consult our Technical Department.

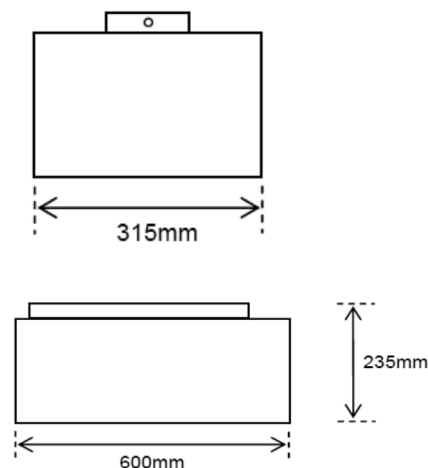
### Specification

Lamp Type	Catalogue Number	Weight (kg)
150W SON-T	LA 150S	11.9
250W SON-T	LA 250S	12.2
400W SON-T	LA 400S	13.5
250W HQI-T	LA 250MH	12.2
400W HQI-T	LA 400MH	13.5
2x70W TC-TE	LA 270TCT	7.2
4x70W TC-TE	LA 470TCT	7.5

### Options

Wire guard	.LBWG	0.5
White cross louvre	.LBLV	0.9

### Dimensions



All written or oral information provided by Sondia Lighting or any of its associates is given in good faith based on current knowledge. The products of Sondia Lighting and its associates are sold subject to General Conditions of Sale which are available upon request. No content in this document shall alter, vary, supersede or operate to waive any of the General Conditions of Sale. It is the responsibility of each user to ensure the product supplied is fit for purpose using all available resources, including finished product testing in the appropriate application and environment. Sondia Lighting and its associates cannot be held responsible for any loss incurred through the use of its products. Information, recommendations and/or advice are neither made to infringe on any patents, nor to grant a license under any patent or intellectual property right of Sondia Lighting or its associates, nor to grant the right to file for any patent protection. Sondia Lighting has a policy of continuous technical development and products and/or descriptions, and/or materials may be changed without prior public announcement or warning.

45 Portland Place, Hull, East Yorkshire, HU2 8QP.  
Tel: 01482 223353 Fax: 01482 225681 [www.sondialighting.co.uk](http://www.sondialighting.co.uk)  
Email: [sales@sondialighting.co.uk](mailto:sales@sondialighting.co.uk)

A Division of The Humber Electrical Engineering Company Ltd

