

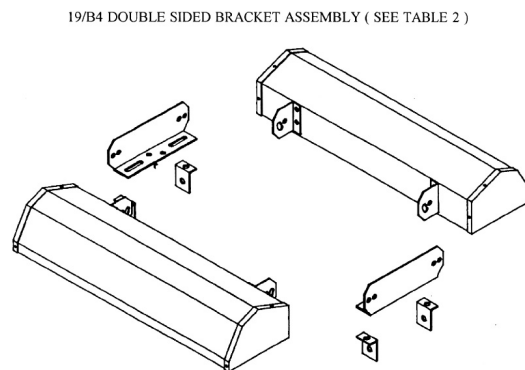
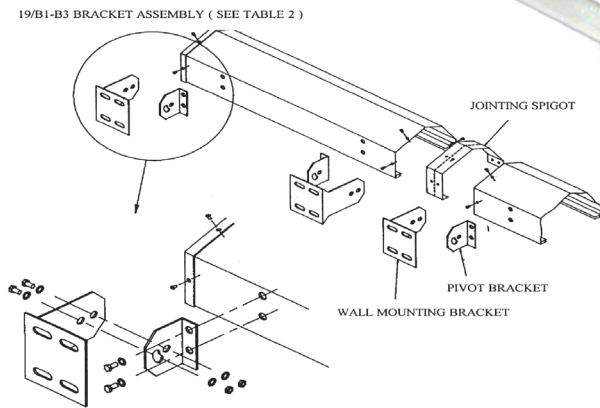
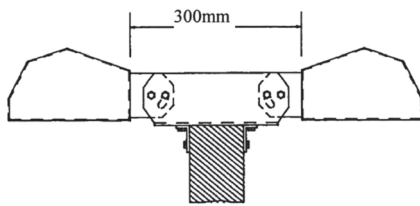
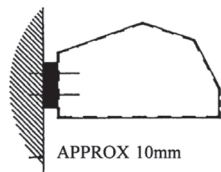
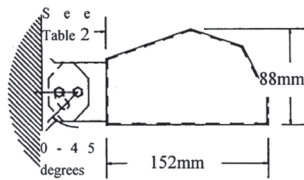
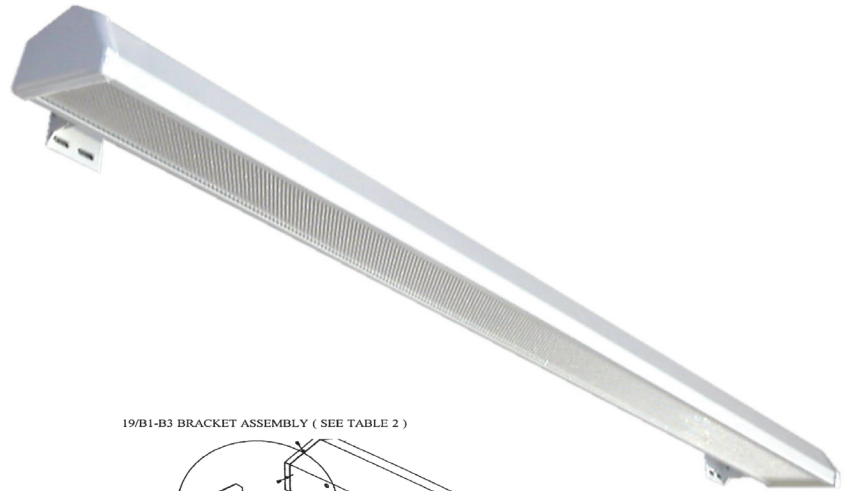
TYPE 19



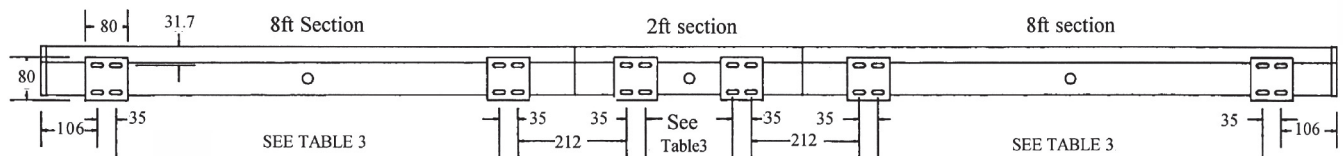
Continuous Sign Trough

Features

- Adjustable Angle from 0-45 Degrees
- Lightweight & Non-Corrosive Aluminium Construction
- Low Running and Maintenance Costs
- Even Light Distribution when compared to some alternative methods of illumination
- Electronic starters fitted for smooth tube ignition in cold conditions & extended tube life
- Specially designed profile provides optimum internal reflection & slimline appearance
- Standard colour - Gloss White



TYPICAL MOUNTING DIMENSION: e.g. 5520mm 18' 1"



NOTE: SILICONE SEALANT SHOULD BE APPLIED TO THE TOP SURFACE OF THE JOINTING SPIGOT BEFORE FITTING (SEE DOTTED LINE ON JOINTING SPIGOT)

All written or oral information provided by Sondia Lighting or any of its associates is given in good faith based on current knowledge. The products of Sondia Lighting and its associates are sold subject to General Conditions of Sale which are available upon request. No content in this document shall alter, vary, supersede or operate to waive any of the General Conditions of Sale. It is the responsibility of each user to ensure the product supplied is fit for purpose using all available resources, including finished product testing in the appropriate application and environment. Sondia Lighting and its associates cannot be held responsible for any loss incurred through the use of its products. Information, recommendations and/or advice are neither made to infringe on any patents, nor to grant a license under any patent or intellectual property right of Sondia Lighting or its associates, nor to grant the right to file for any patent protection. Sondia Lighting has a policy of continuous technical development and products and/or descriptions, and/or materials may be changed without prior public announcement or warning.

